

6995 I/BP

Lamp

- Quartz halogen single-ended lamps with unique pinch protection.

Benefits

- Meet the needs of fixture manufacturers who wish to create compact and lightweight luminaires without sacrificing lumen output or lamp life.

Features

- Lamp pinch can be operated at up to 500°C.
- Enables a significant reduction of light centre length (LCL), or an increase in lamp power by up to 300 per cent with same LCL, compared with unprotected lamps.
- Biplane filament.
- Unique pinch protection.

Applications

- Studio and film lighting.
- Stage and theatre lighting.
- Disco and show lighting.

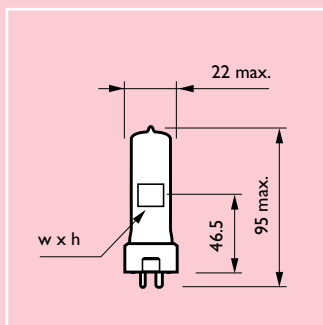
Luminaire

- Blue Pinch lamps must be used in dedicated luminaires.



Type	Lamp wattage	Lamp voltage	Cap/base	ANSI code	Filament shape *	Lumen output	Colour temperature	Burning position	Lamp life 50% h	Ordering number
	W	V				lm	K			
6995 I/BP	1000	115	GY9.5	-	BP	27000	3200	S 90	250	9245 267 34400
6995 I/BP	1000	120	GY9.5	GAC	BP	27000	3200	S 90	250	9245 267 36300
6995 I/BP	1000	220	GY9.5	-	BP	27000	3200	S 90	250	9245 267 42900
6995 I/BP	1000	230	GY9.5	GAB	BP	25000	3200	S 90	250	9245 267 44200
6995 I/BP	1000	240	GY9.5	GAD	BP	25000	3200	S 90	250	9245 267 45500

* BP = Biplane



Dimensions in mm

Type	Volt	w x h
6995 I/BP	115/120	11 x 11
6995 I/BP	120	10 x 11
6995 I/BP	220/230/240	11 x 14.5

BP