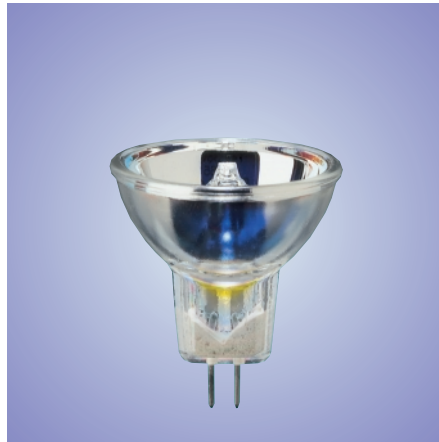


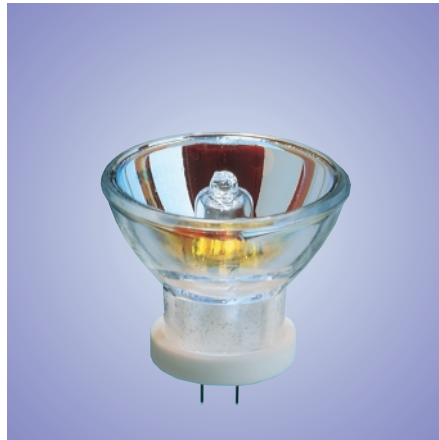
EFR/B



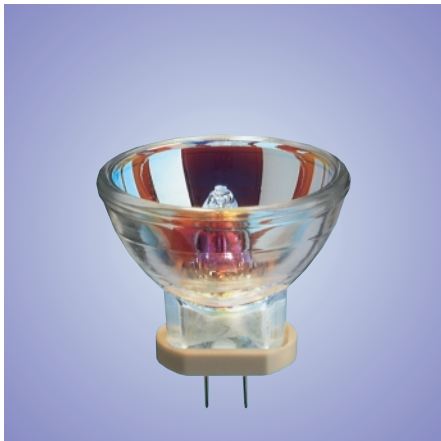
13165



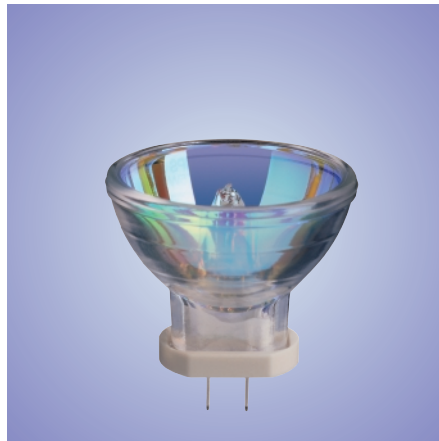
13865



12037



14513 Blue



14513

**Features**

These lamps have been specially developed for curing or dental fillings.

The filling material is sensitive to radiation between 400 and 500 nm.

The lamps in this range are optimized for maximum output in this wave range.

Lamps with a blue reflector reflect less, unwanted, visible light above 700 nm.

**Applications**

- Curing of dental fillings.



Type	ANSI Code	J Code	Burning position	Lamp life h	Curing power in mW/cm <sup>2</sup> 330-490 nm	Measuring set up fig.	Curing power in mW 400-500 nm	Maximum permissible pinch temp. degr.C	Maximum permissible bulb temp. degr.C	Ordering number
13390	-	-	ANY	50	-	B	105	400	900	9240 429 14503
13294/99	-	-	ANY	35	-	B	120	400	900	9239 855 10100
13165	-	-	ANY	50	-	B	160	400	900	9238 890 18300
-	-	JCR/M 14 V 35 W	ANY	50	40	A	-	400	900	9248 135 18300
-	-	JCR/M 12 V 50 W	ANY	50	60	A	-	400	900	9248 131 17100
13298	-	-	ANY	25	-	B	330	400	900	9240 089 15800
14553	-	-	ANY	25	-	B	420	400	900	9240 433 15800
14552	-	-	ANY	50	-	B	400	400	900	9240 432 17100
-	-	JCR/M 12 V 75 W/SD	ANY	50	84	A	-	400	900	9248 134 17100
13865	-	-	ANY	50	-	B	480	400	900	9240 100 17100
14513 Blue	-	-	ANY	50	-	B	480	400	900	9240 567 17101
14647	-	-	ANY	40 (15)	-	B	380(500)	400	900	9240 537 17103
12037	-	JCR/M 12 V/100 W/SD	ANY	25	119	A	-	400	900	9248 126 17100
-	EFR/B	JCR 15 V 150 W/SB	ANY	50	-	B	-	400	900	9248 004 18500

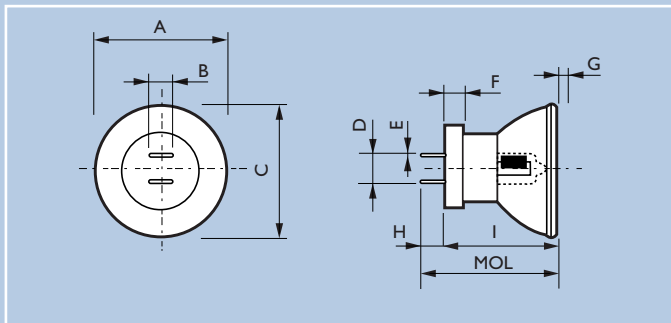


Fig. 1 Dimensions in mm

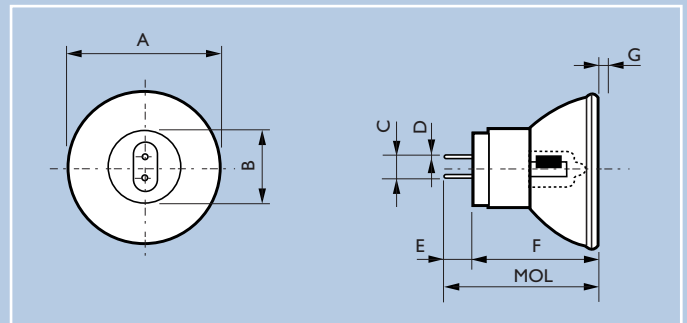


Fig. 2

Type	MOL	A	B	C	D	E	F	G	H	I
12037	37	34.7 ± 0.3	4.8	20.5	5	0.5	5.0	3.0	6.5 ± 1	28.0
13865	35	-	-	-	-	-	-	-	-	-
14513 Blue	35	-	-	-	-	-	-	-	-	-

Type	MOL	A	B	C	D	E		F	G
						min.	max.		max.
13990	32	24.7 ± 0.3	16	4	0.7	6	-	24.5 ± 0.4	1
13294/99	42	24.7 ± 0.3	16	4	1	6	11.5	27.5 ± 0.55	3
13165	40	24.7 ± 0.3	16	4	1	6	11.5	27.5 ± 0.55	3
13298	36	24.7 ± 0.3	16	4	1	6	11.5	27.5 ± 0.55	3
14553	40	24.7 ± 0.3	16	4	1	6	11.5	27.5 ± 0.55	3
14552	40	24.7 ± 0.3	16	4	1	6	11.5	27.5 ± 0.55	3
13865	35	24.7 ± 0.3	16	4	1	6	11.5	27.5 ± 0.55	3
14513 Blue	35	24.7 ± 0.3	16	4	1	6	11.5	27.5 ± 0.55	3
14647	40	24.7 ± 0.3	16	4	1	6	11.5	-	3

FL

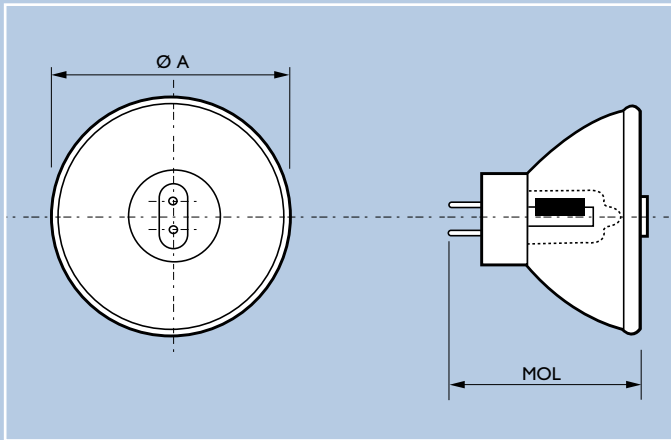


Fig. 3 Dimensions in mm

Type	MOL max.	A min.	A max.
EFR/B	42	49.4	50.0

Type	ANSI Code	J Code	Fig	Cap/ Base	Lamp voltage	Lamp wattage	Reflector diameter in mm	Reflector surface	Reflector coating
					V	W			
13390	-	-	2	G4	8	22	35	Smooth	Dichroic
13294/99	-	-	2	GZ4	6	35	35	Smooth	Dichroic
13165	-	-	2	GZ4	14	35	35	Smooth	Dichroic
-	-	JCR/M 14 V 35 W	2	GZ4	14	35	35	Smooth	Dichroic
-	-	JCR/M 12 V 50 W	2	GZ4	12	50	35	Smooth	Dichroic
13298	-	-	2	GZ4	10	52	35	Smooth	Dichroic
14553	-	-	2	GZ4	10	52	35	Smooth	Dichroic
14552	-	-	2	GZ4	12	75	35	Smooth	Dichroic
-	-	JCR/M 12 V 75 W/SD	1	G5.3/4.8	12	75	35	Smooth	Dichroic
13865	-	-	1	G5.3/4.8	12	75	35	Smooth	Dichroic
14513 Blue	-	-	1	G5.3/4.8	12	75	35	Smooth	Blue
14647	-	-	1	GZ4	12 (13)	86 (100)	35	Smooth	Dichroic
12037	-	JCR/M 12 V/100 W/SD	1	G5.3/4.8	12	100	35	Smooth	Dichroic
-	EFR/B	JCR 15 V 150 W/SB	3	GZ6.35	15	150	50	Smooth	Blue

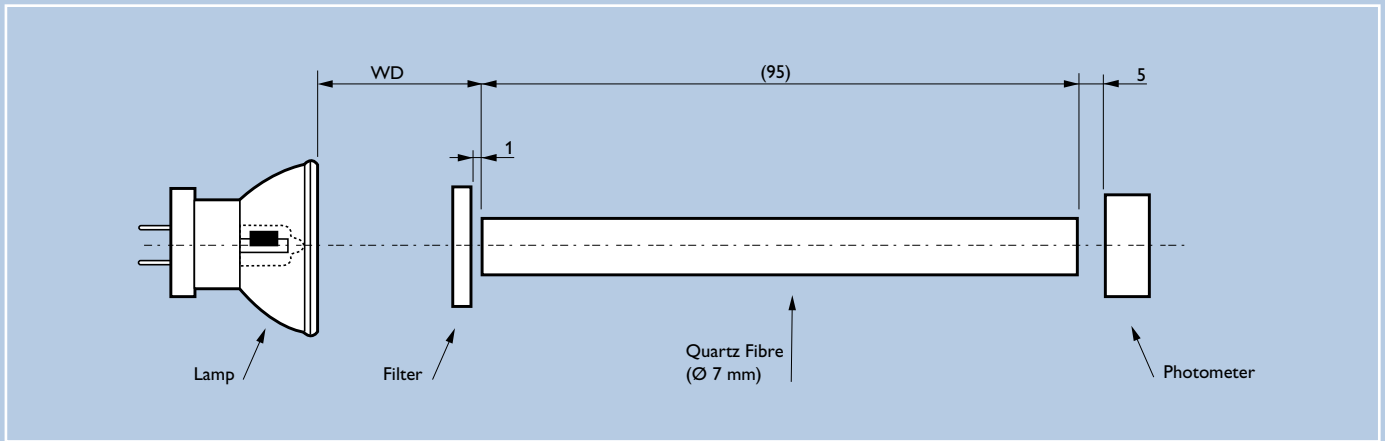


Fig. A Dimensions in mm

Type	J Code	Working distance (WD) mm
-	JCR/M 14 V 35 W	26.5
-	JCR/M 12 V 50 W	26.5
-	JCR/M 12 V 75 W/SD	26.5
12037	JCR/M 12V/100 W/SD	26.5
EFR/8	JCR 15 V 150 W/SB	32.0

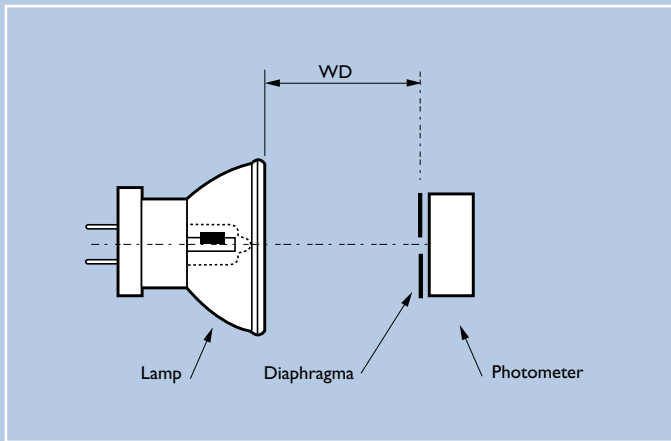
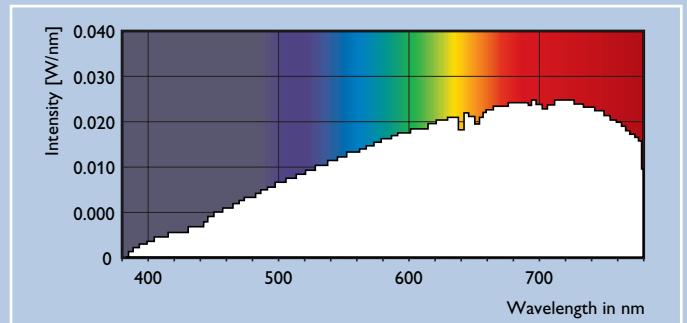


Fig. B

Type	Working distance (WD) mm	Diaphragma Ø mm
13390	34	7
13294/99	26	5
13165	21	7
13298	26	7
14553	21	7
14552	26	7
13865	25	8
14513 Blue	25	8
14647	26	7



Spectral power distribution