



GY9.5



GX9.5



P28s



GX6.35

Lamp

- Single-ended quartz halogen lamps with M-shape or biplane filament.

Features

- P3 technology for most of the lamps.
- Staggered filament construction emits up to 25% more light from the focal point of the optical system, depending on the type of luminaire.
- Designed for use in luminaires where longer life is of great importance.

Applications

- Stage and theatre lighting.
- Effect lighting for discos and shows.



BO



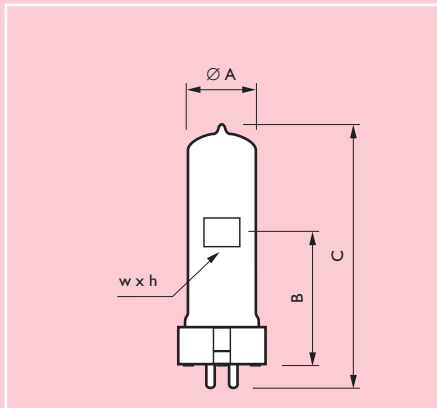
Philips P3 technology

- Reliability, through longer lifetime and fewer early failures.
- Quality, through excellent storage characteristics and consistent performance over time.
- Freedom in both luminaire design and burning position.

Type	Lamp voltage	Lamp wattage	Cap/base	ANSI code	LIF code	J code	Finish	Filament shape *	Lumen output	Colour temp.	Burning position	Lamp life 50% h	Max. perm. pinch temp. degr.C	Ordering number
	V	W							lm	K				
7010	120	300	GX6.35	-	-	-	CLEAR	M	7000	3200	ANY	150	400	9245 306 36300
6874P	230	300	GY9.5	-	M/38	-	CLEAR	M	5100	2950	ANY	2000	400	9239 497 43200
6874P	240	300	GY9.5	-	M/38	-	CLEAR	M	5100	2950	ANY	2000	400	9239 497 45700
-	120	500	G9.5	EHD	-	EHD 120-500	CLEAR	CC	10000	3000	ANY	2000	350	9247 916 36300
6800C	120	500	P28s	BTL	T/24 (T/17)	-	CLEAR	BP	11000	2950	ANY	750	500	9245 166 36300
6800C	230	500	P28s	BTL	T/24 (T/17)	-	CLEAR	BP	9500	2950	ANY	750	500	9238 547 43200
6800C	240	500	P28s	-	T/24 (T/17)	-	CLEAR	BP	9500	2950	ANY	750	500	9238 547 45500
6820P	230	500	GY9.5	GCV/GVH	T/25 (T/18)	-	CLEAR	BP	11000	3000	ANY	300	500	9238 940 43200
6820P	240	500	GY9.5	GCW/GCJ	T/25 (T/18)	-	CLEAR	BP	11000	3000	ANY	300	500	9238 940 45500
6877P	230	500	GY9.5	-	M/40	-	CLEAR	M	10000	2950	ANY	2000	400	9239 498 43200
6877P	240	500	GY9.5	-	M/40	-	CLEAR	M	10000	2950	ANY	2000	400	9239 498 45700
6823P	230	650	GY9.5	GCK/GCT	T/27 (T/26)	-	CLEAR	BP	14500	3050	ANY	450	500	9238 654 43200
6823P	240	650	GY9.5	GCL/GCS	T/27 (T/26)	-	CLEAR	BP	14500	3050	ANY	450	500	9238 654 45500
6998P	230	650	GX9.5	-	T/21 (T/12)	-	CLEAR	BP	13000	3000	ANY	750	500	9238 650 43200
6998P	240	650	GX9.5	-	T/21 (T/12)	-	CLEAR	BP	12600	3000	ANY	750	500	9238 650 45500
6998C	230	650	P28s	FKB	T/22 (T/13)	-	CLEAR	BP	13000	3000	ANY	750	500	9238 653 43200
6998C	240	650	P28s	FKB	T/22 (T/13)	-	CLEAR	BP	12600	3000	ANY	750	500	9238 653 45500
-	120	750	G9.5	EHG	-	EHG 120-750	CLEAR	CC	15000	3000	ANY	2000	350	9247 917 36300
6996P	230	1000	GX9.5	FWP	T/19 (T/11)	-	CLEAR	BP	21000	3050	ANY	750	500	9238 651 43200
6996P	240	1000	GX9.5	FWR	T/19 (T/11)	-	CLEAR	BP	21000	3050	ANY	750	500	9238 651 45500
6996C	230	1000	P28s	FKD	T/20 (T/14)	-	CLEAR	BP	21000	3050	ANY	750	500	9238 652 43200
6996C	240	1000	P28s	FKD	T/20 (T/14)	-	CLEAR	BP	21000	3050	ANY	750	500	9238 652 45500
6897P	230	1200	GX9.5	FWS	T/29	-	CLEAR	BP	27600	3000	ANY	400	500	9238 537 42900
6897P	240	1200	GX9.5	FWT	T/29	-	CLEAR	BP	27600	3000	ANY	400	500	9238 537 45500

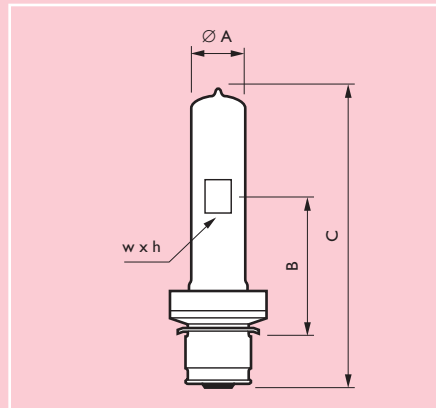
* BP = Biplane
M = M-shaped
CC = Coiled coil

BO

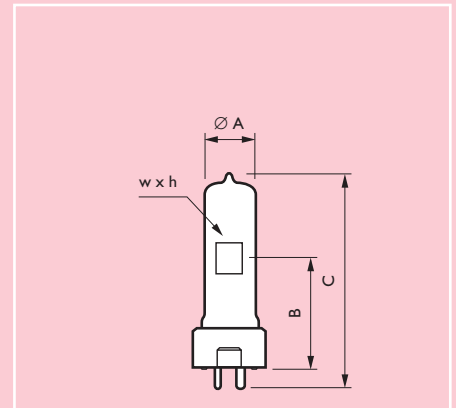


Dimensions in mm

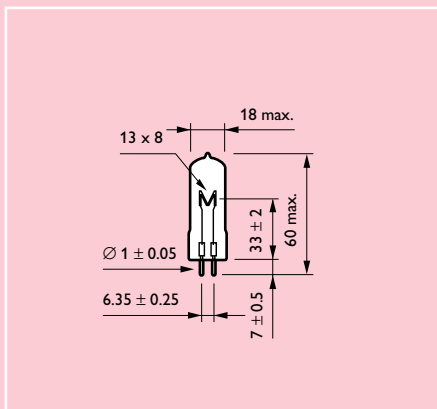
Type	A max.	B	C max.	w x h
Cap/base GX9.5				
6897P	25.0	67.0	120.0	15.0 x 14.5
6996P	28.0	55.0	110.0	11.0 x 17.0
6998P	22.0	55.0	110.0	10.0 x 12.5



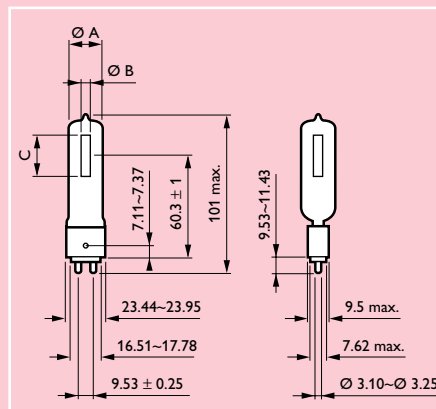
Type	A max.	B	C max.	w x h
Cap/base P28s				
6800C 120V	19.0	55.6	130.0	8.5 x 10.0
6800C 230V	22.0	55.6	130.0	11.0 x 13.0
6800C 240V	22.0	55.6	130.0	9.5 x 13.0
6996C	23.0	55.6	125.0	10.0 x 16.0
6998C	22.0	55.6	125.0	11.0 x 12.0



Type	A max.	B	C max.	w x h
Cap/base GY9.5				
6820P	22.0	46.5	90.0	11.0 x 11.0
6823P	22.0	46.5	90.0	11.0 x 13.5
6874P	18.0	46.5	80.0	8.0 x 14.0
6877P	18.0	46.5	85.0	8.0 x 21.0



7010



Type	A max.	B nom.	C nom.
Cap/base G9.5			
EHD 120-500	13.5	4.1	24
EHG 120-750	17.5	5.5	24.5