



GX9.5



G22 (straight bulb)



G38



G9.5



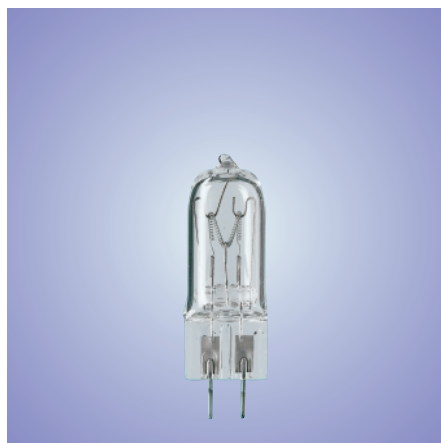
P28s



GY9.5



GY16



GX6.35

Lamp

- Mains-voltage halogen lamps with different filament shapes such as biplane, monoplane, coiled coil and M-shape.

Features

- P3 technology for most of the lamps.
- High lumen output.
- All lamps have a correlated colour temperature of 3200 K.

Applications

- Studio, film.
- Disco lighting.
- Theatre.



BM



Philips P3 technology

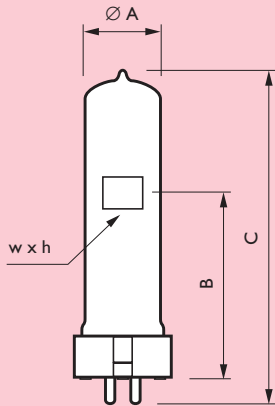
- Reliability, through longer lifetime and fewer early failures.
- Quality, through excellent storage characteristics and consistent performance over time.
- Freedom in both luminaire design and burning position.

Type	Lamp voltage	Lamp wattage	Cap/base	ANSI code	LIF code	Finish	Filament shape *	Lumen output	Burning position	Lamp life 50%	Maximum permissible pinch temp. degr.C	Ordering number
	V	W						lm		h		
7003	230	150	GX6.35	-	-	CLEAR	M	3000	UNIV.	150	400	9245 537 44200
7010	120	300	GX6.35	-	-	CLEAR	M	7000	UNIV.	150	400	9245 306 36300
6872P	230	300	GY9.5	FSL	CP/81	CLEAR	M	7050	UNIV.	150	400	9239 495 42900
6872P	240	300	GY9.5	FSK	CP/81	CLEAR	M	7050	UNIV.	150	400	9239 495 45700
6873P	230	500	GY9.5	FRH	CP/82	CLEAR	M	13500	UNIV.	150	400	9239 496 42900
6873P	240	500	GY9.5	FRJ	CP/82	CLEAR	M	13500	UNIV.	150	400	9239 496 45500
7389	230	500	GY9.5	-	A1/244	CLEAR	BP	14000	S90	75	400	9238 716 43200
7389	240	500	GY9.5	-	A1/244	CLEAR	BP	14000	S90	75	400	9238 716 45700
6985P	115	575	G9.5	FLK	-	CLEAR	CC	15700	UNIV.	300	500	9245 245 34400
6638P	120	650	GY9.5	FRK	-	CLEAR	BP	16900	UNIV.	200	500	9245 013 36300
6638P	230	650	GY9.5	FRL	CP/89	CLEAR	BP	15600	UNIV.	150	500	9245 013 42900
6638P	240	650	GY9.5	FRM	CP/89	CLEAR	BP	15600	UNIV.	150	500	9245 013 45500
6999P	230	650	GX9.5	-	CP/65	REFLECTOR	BP	-	UNIV.	100	500	9238 905 42900
6993P	230	650	GX9.5	FVC	CP/67 (CP/23)	CLEAR	BP	16500	UNIV.	100	500	9238 903 42900
6993Z	230	650	G22	FKH	CP/68 (CP/39)	CLEAR	BP	16500	UNIV.	100	500	9238 904 42900
6827Z	120	750	G22	EGR	-	CLEAR	BP	18750	UNIV.	200	500	9238 996 36300
6827C	120	750	P28s	BTP	-	CLEAR	BP	20000	UNIV.	200	500	9245 099 36300
7001C	120	750	P28s	BTN	-	CLEAR	BP	17500	UNIV.	500	500	9245 097 36300
7764	230	800	GY9.5	-	A1/245	CLEAR	BP	21500	UNIV.	75	500	9238 765 43200
7002Y	100	1000	G22	-	-	CLEAR	BP	29000	UNIV.	250	500	9245 536 30900
7002Y	115	1000	G22	-	-	CLEAR	BP	29000	UNIV.	250	500	9245 536 34400
7002Y	230	1000	G22	-	-	CLEAR	BP	29000	UNIV.	250	500	9245 536 44200
7002Y	240	1000	G22	-	-	CLEAR	BP	29000	UNIV.	250	500	9245 536 45500
6983P	120	1000	G9.5	FEL	CP/77	CLEAR	CC	27000	UNIV.	300	500	9244 006 36300
6983P	230	1000	G9.5	FEP	CP/77	CLEAR	CC	26000	UNIV.	250	500	9244 000 42900
6983P	240	1000	G9.5	FEP	CP/77	CLEAR	CC	26000	UNIV.	250	500	9244 000 45500
6984P	230	1000	GX9.5	-	CP/63	REFLECTOR	BP	-	UNIV.	150	500	9238 913 42900
6995Z	120	1000	G22	EGT	-	CLEAR	BP	27000	UNIV.	240	500	9238 801 36300
6995Z	230	1000	G22	FKJ	CP/71 (CP/40)	CLEAR	BP	25000	UNIV.	240	500	9238 847 42900
6995Z	240	1000	G22	FK5	CP/71 (CP/40)	CLEAR	BP	25000	UNIV.	240	500	9238 847 45500
6995C	120	1000	P28s	BTR	-	CLEAR	BP	27000	UNIV.	200	500	9245 117 36300
6995Y	120	1000	G38	CYV	-	CLEAR	BP	27000	S90	175	400	9238 518 36300
6995P	230	1000	GX9.5	FVA	CP/70 (CP/24)	CLEAR	BP	25000	UNIV.	200	500	9238 846 42900
6995P	240	1000	GX9.5	FVA	CP/70 (CP/24)	CLEAR	BP	25000	UNIV.	200	500	9238 846 45500
6895P	230	1200	GX9.5	-	CP/90	CLEAR	BP	30000	UNIV.	200	500	9239 314 42900
6975Z	230	2000	G22	-	CP/92	CLEAR	BP	50000	UNIV.	400	500	9245 154 44200
6975Z	240	2000	G22	-	CP/92	CLEAR	BP	50000	UNIV.	400	500	9245 154 45500
6994Y	230	2000	G22	-	CP/75 (CP/55)	CLEAR	BP	50000	UNIV.	400	500	9238 947 42900
6994P	230	2000	GY16	FTM	CP/72 (CP/43)	CLEAR	BP	50000	UNIV.	320	500	9238 910 42900
6994P	240	2000	GY16	FTM	CP/72 (CP/43)	CLEAR	BP	50000	UNIV.	380	500	9238 910 45500
6994Z	120	2000	G38	CYX	-	CLEAR	BP	52000	UNIV.	400	500	9245 026 36300
6994Z	230	2000	G38	FKK/FKP	CP/73 (CP/41)	CLEAR	BP	50000	UNIV.	400	500	9238 911 42900
6994Z	240	2000	G38	FKK/FKP	CP/73 (CP/41)	CLEAR	BP	50000	UNIV.	400	500	9238 911 45500
6894Y	230	2500	G22	-	CP/91	CLEAR	BP	67500	UNIV.	350	500	9245 038 42900
6894Y	240	2500	G22	-	CP/91	CLEAR	BP	67500	UNIV.	350	500	9245 038 45500
6963Z	230	5000	G38	-	CP/85 (CP/29)	CLEAR	BP	132500	UNIV.	400	500	9238 659 42900
6963Z	240	5000	G38	-	CP/85 (CP/29)	CLEAR	BP	132500	UNIV.	400	500	9238 659 45500

Note: Colour temperature is given as indicative value: 3200 K for all lamps except 7003 lamp (3100 K).

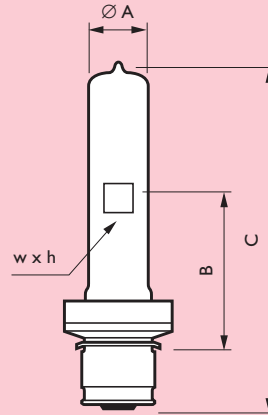
* BP = Biplane
 CC = Coiled coil
 M = M-shaped

BM

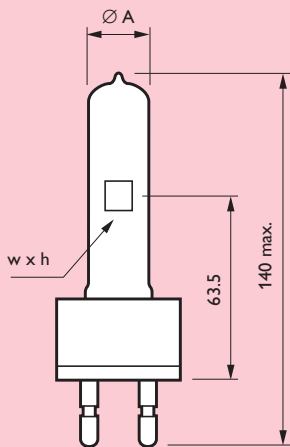


Dimensions in mm

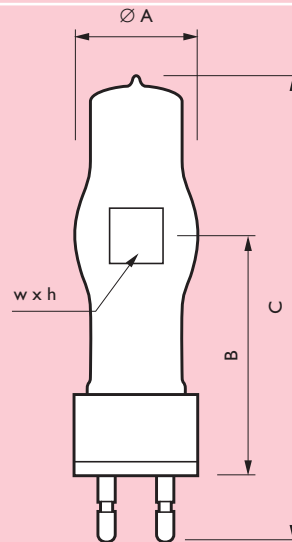
Type	A max.	B	C max.	w x h
Cap/base GX9.5 without reflector				
6895P	25.0	67.0	120.0	17.0 x 15.5
6993P	22.0	55.0	110.0	10.0 x 10.0
6995P	23.0	55.0	110.0	11.0 x 14.5



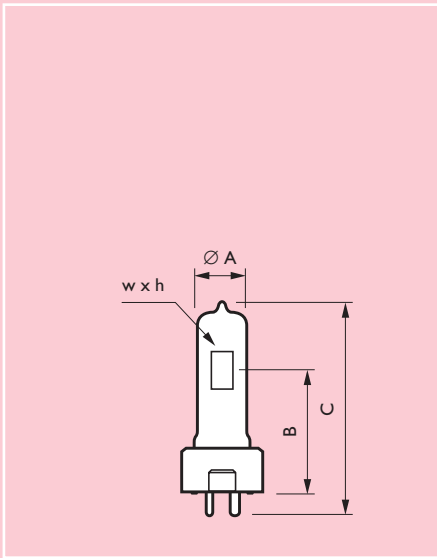
Type	A max.	B	C max.	w x h
Cap/base P28s				
6827C	22.0	55.6	127.0	11.0 x 14.0
6995C	22.0	55.6	140.0	10.0 x 10.0
7001C	22.0	55.6	127.0	10.0 x 11.0



Type	A max.	B	w x h
Cap/base G22			
6827Z	28.0	63.5	11.0 x 11.0
6993Z	22.0	63.5	10.0 x 10.0
6995Z 120 V	28.0	63.5	10.0 x 10.5
6995Z 230 V	23.0	63.5	11.0 x 14.5
6995Z 240 V	23.0	63.5	11.0 x 14.5
7002Y 100 V	22.0	72.5	11.5 x 11.5
7002Y 175 V	22.0	72.5	11.5 x 10.5
7002Y 230 V	22.0	72.5	10.5 x 14.0
7002Y 240 V	22.0	72.5	11.5 x 13.5

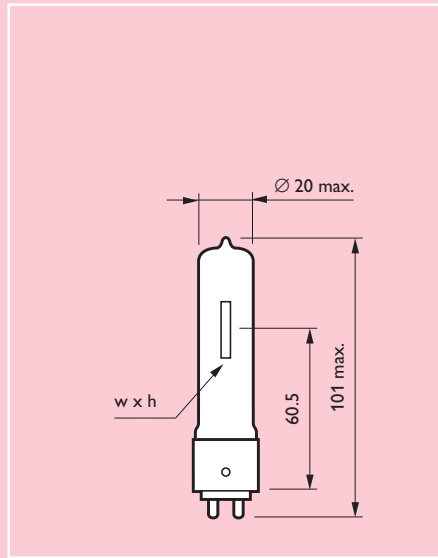


Type	A max.	B	C max.	w x h
Cap/base G22				
6894Y	40.0	90.0	175.0	20.0 x 21.0
6975Z	40.0	90.0	175.0	17.0 x 18.5
6994Y	40.0	75.0	160.0	17.0 x 18.5

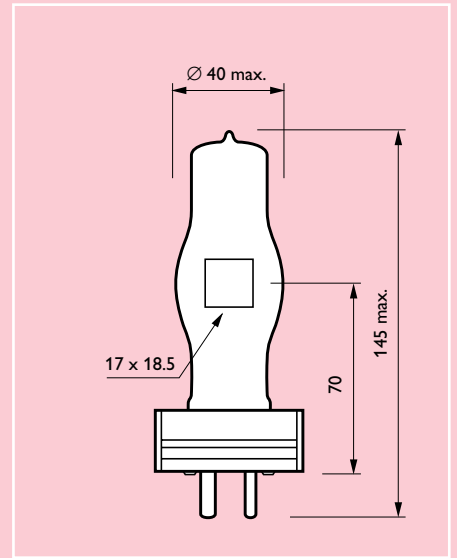


Dimensions in mm

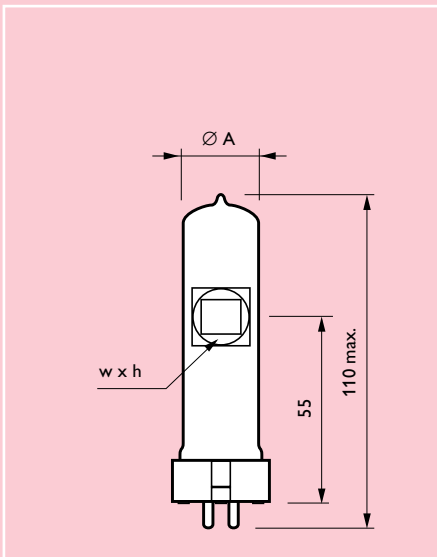
Type	A max.	B	C max.	w x h
Cap/base GY9.5				
6638P	22.0	46.5	90.0	11.0 x 12.0
6872P	18.0	46.5	90.0	8.0 x 13.0
6873P	18.0	46.5	90.0	8.0 x 18.0
7389	22.0	36.5	75.0	10.5 x 9.0
7764	22.0	44.5	87.0	11.0 x 13.5



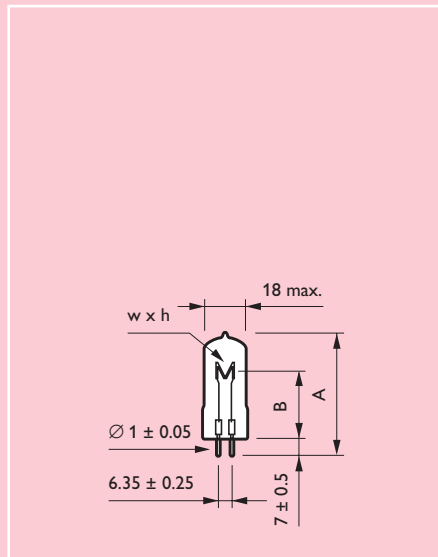
Type	w x h
Cap/base G9.5	
6983P	6.0 x 23.0
6985P	5.5 x 12.5



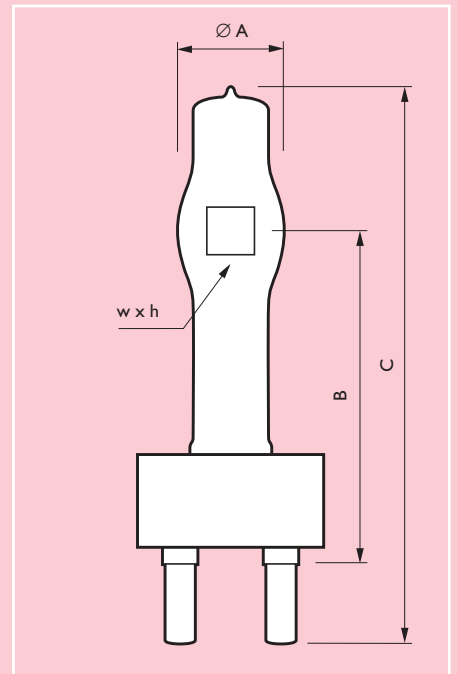
6994P GY16



Type	A max.	w x h
Cap/base GX9.5: with reflector		
6999P	22.0	11.0 x 9.5
6984P	28.0	15.5 x 13.0



Type	A max.	B	w x h
Cap/base GX6.35			
7003	54.0	30.0 ± 3.0	6.0 x 6.0
7010	60.0	33.0 ± 2.0	13.0 x 8.0



Type	A max.	B	C max.	w x h
Cap/base G38				
6963Z	62.0	165.0	280.0	26.0 x 28.5
6994Z 120V	40.0	127.0	210.0	17.0 x 15.5
6994Z 230/240V	40.0	127.0	210.0	17.0 x 18.5
6995Y	30.5	127.0	200.0	11.0 x 13.5