



BL

Lamp

- Quartz halogen lamps with a compact biplane filament design which comes closer to the ideal point source.

Benefits

- Increased shock-resistance through improved construction of filament support.
- Combination of innovative luminaire reflector design and the Philips Compact Source lamps produces greater efficiency of the total optical system.

Features

- P3 technology.
- Reduced energy consumption allows more luminaires to be operated on each dimmer.
- Universal burning position.

Applications

- Studio, stage and entertainment lighting.

Luminaire

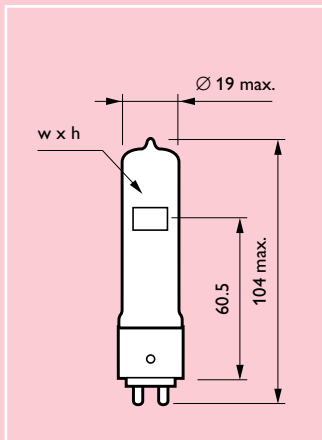
- These lamps are the ideal solution for the latest generation of high-performance luminaires.



Philips P3 technology

- Reliability, through longer lifetime and fewer early failures.
- Quality, through excellent storage characteristics and consistent performance over time.
- Freedom in both luminaire design and burning position.

Type	ANSI code	Lamp wattage W	Lamp voltage V	Cap/base	Lumen output lm	Lamp life h	Max. perm. pinch temp. degr.C	Colour temperature K	Ordering number
6989P		575	100	G9.5	15500	300	500	3200	9245 342 30900
6989P	GLC	575	115	G9.5	15500	300	500	3200	9245 342 34400
6992P	GLA	575	115	G9.5	13000	1500	480	3100	9245 385 34400
6986P	GKV	600	220	G9.5	15000	300	500	3200	9245 344 42900
6986P	GKV	600	230	G9.5	15000	300	500	3200	9245 344 44200
6986P	GKV	600	240	G9.5	15000	300	500	3200	9245 344 45500
6991P	GLB	600	230	G9.5	13000	1500	480	3100	9245 386 44200
6991P	GLB	600	240	G9.5	13000	1500	480	3100	9245 386 45500
6981P	-	750	115	G9.5	20500	300	500	3200	9245 468 34400
6982P	-	800	230	G9.5	20000	300	500	3200	9245 456 44200
6982P	-	800	240	G9.5	20000	300	500	3200	9245 456 45500



Dimensions in mm

Type	w x h
6981P	9.5 x 9.3
6982P	8 x 12
6986P	8 x 8
6991P	8 x 15.5
6992P	8 x 10