



GY9.5 without reflector



GY9.5 with reflector

**Lamp**

- Single-ended bi-pin quartz halogen lamps.

**Benefits**

- High colour temperature and luminous efficacy remain practically constant throughout lifetime.
- Compact size and high light output.

**Features**

- P3 technology for some lamps.
- Biplane filament.
- Precisely aligned grid-type filament assembly with critical tolerances.
- Some types are for use with an external reflector; others have an internal proximity reflector for maximum light collection efficiency.
- Prefocus base ensures exact lamp alignment within the optical system.

**Application**

- Overhead projectors.
- PARcans.



BU

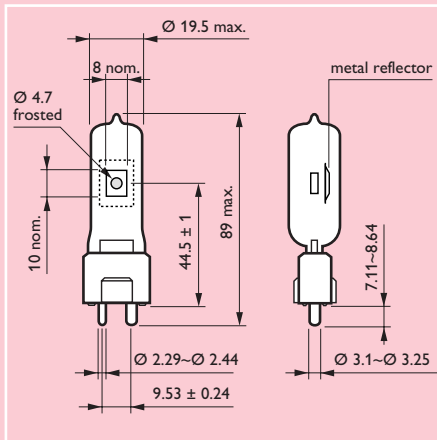


**Philips P3 technology**

- Reliability, through longer lifetime and fewer early failures.
- Quality, through excellent storage characteristics and consistent performance over time.
- Freedom in both luminaire design and burning position.

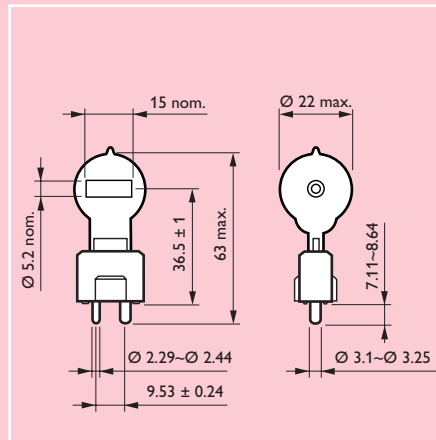
| Type | Lamp voltage | Lamp wattage | Cap/ base | ANSI code | LIF code | J code        | Finish | Filament shape * | Lumen output | Colour temp. | Burning position | Lamp life 50% | Max. perm. pinch temp. degr.C | Ordering number |
|------|--------------|--------------|-----------|-----------|----------|---------------|--------|------------------|--------------|--------------|------------------|---------------|-------------------------------|-----------------|
|      | V            | W            |           |           |          |               |        |                  | lm           | K            |                  | h             |                               |                 |
| 5968 | 120          | 500          | GY9.5     | EHA       | A1/254   |               | REFL.  | BP               | 11550        | 3200         | S90              | 50            | 400                           | 9238 792 34500  |
| 5968 | 230          | 500          | GY9.5     | EMG       | A1/254   |               | REFL.  | BP               | 11550        | 3200         | S90              | 50            | 400                           | 9238 792 43200  |
| 5968 | 240          | 500          | GY9.5     | FGP/EMG   | A1/254   |               | REFL.  | BP               | 11550        | 3200         | S90              | 50            | 400                           | 9238 792 45700  |
| -    | 100          | 500          | GY9.5     | EHA       | -        | EHA 100-500   | REFL.  | BP               | -            | 3200         | S90              | 75            | 400                           | 9248 283 30900  |
| -    | 120          | 600          | GY9.5     | DYS/DYV   | -        | JCD 120-600 C | CLEAR  | CC               | 17000        | 3200         | S90              | 75            | 400                           | 9247 932 36300  |
| -    | 120          | 625          | GY9.5     | BVE       | -        | BVE 120-625   | REFL.  | BP               | 3350         | -            | S90              | 75            | 400                           | 9247 919 36300  |
| 7764 | 230          | 800          | GY9.5     | -         | A1/245   |               | CLEAR  | BP               | 21500        | 3200         | UNIV.            | 75            | 500                           | 9238 765 43200  |
| 7804 | 230          | 900          | GY9.5     | DZJ       | -        |               | REFL.  | BP               | 22000        | 3200         | UNIV.            | 75            | 500                           | 9238 778 43200  |

\* BP = Biplane  
CC = Coiled coil

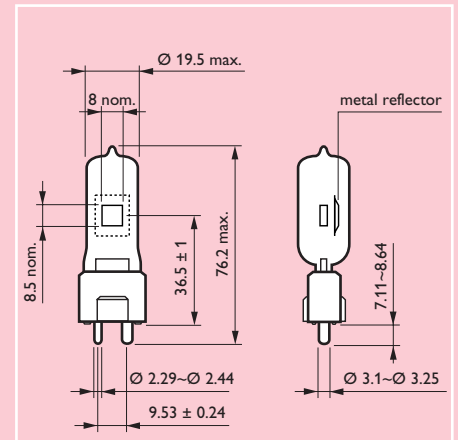


BVE 120-625

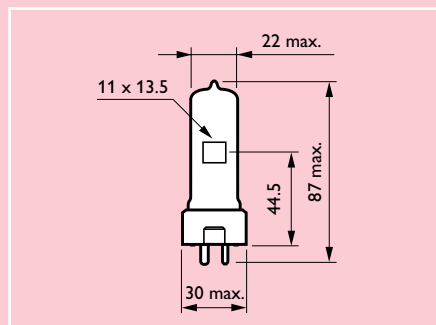
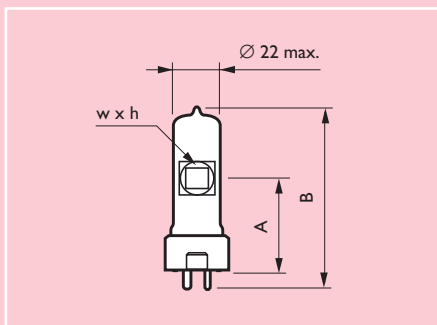
Dimensions in mm



JCD 120-600 C



EHA 100-500



7764

| Type           | A    | B max. | w x h       |
|----------------|------|--------|-------------|
| 5968 120 V     | 36.5 | 76.2   | 10.5 x 9.5  |
| 5968 230/240 V | 36.5 | 76.2   | 10.5 x 10.5 |
| 7804           | 44.5 | 87.0   | 11.0 x 12.0 |