



CDM-SA/R



CDM-SA/T

### Features

CDM-SA /942 are compact discharge lamps with a stable colour over lifetime, a sparkling light, for fresh white (4200 K) colour impression and an excellent colour rendering CRI > 90 (4200 K).

High beam intensities can be created thanks to the short arc, the axially mounted discharge arc and the compact dimensions of the lamp.

Low operating costs result from the high lamp efficacy, combined with long lamp life compared to halogen lamps.

The lamps feature a UV-block quartz outer bulb and personal comfort is increased thanks to the low heat output.

CDM-SA lamps have to be used in combination with a magnetic ballast + ignitor or with an electronic gear.

A high current protection device is mandatory (IEC 1167).

For constant voltage deviations of more than 3% of the rated voltage, another ballast rating/tap must be used. Electronic gear, like the Philips EMC, can also be used, especially to eliminate visible flicker.

The lamps must be used in closed luminaires and a hard glass cover is needed.

Available are two versions; tubular CDM-SA/T and reflector CDM-SA/R.

### Applications

- Advertising/Text projection.
- Fibre optics.
- Decorative outdoor: architectural lighting.
- Shops and shop windows.

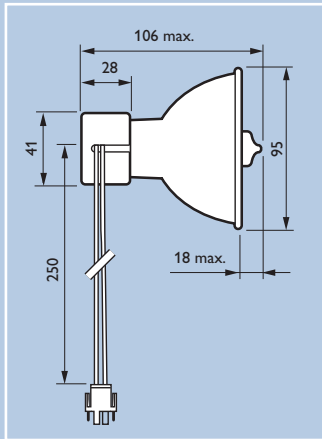
### Note

ALL LAMPS IN UV-BLOCK FOR REDUCED FADING RISK.



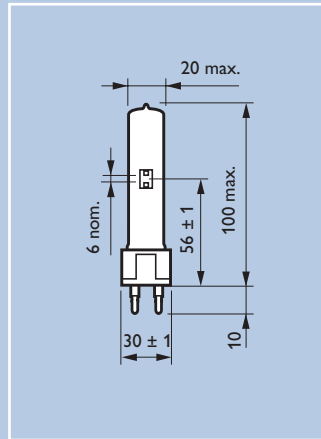
Type	Lamp wattage	Cap/ base	Lumen output	Efficacy source	Chromaticity coordinate		Colour temp.	Average life	Minimum ignition supply voltage	CRI	Lamp current	Max. lamp current	Ordering number
	W		lm	lm/W	x	y	K	h	V		A	A	
CDM-SA/T 150/942	150	G12	12900	86	.378	.352	4200	50% 6000 20% 4000	207	96	1.8	2.5	9280 866 05100
CDM-SA/R 150/942	150	AMP connector cable length 250 mm	15 mm: 2750* 25 mm: 5000*	-	.378	.352	4200	50% 6000 20% 4000	207	96	1.8	2.5	9280 868 05300

\* 75 mm working distance

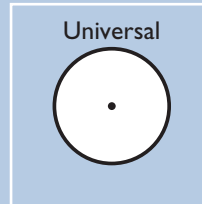


CDM-SA/R

Dimensions in mm



CDM-SA/T

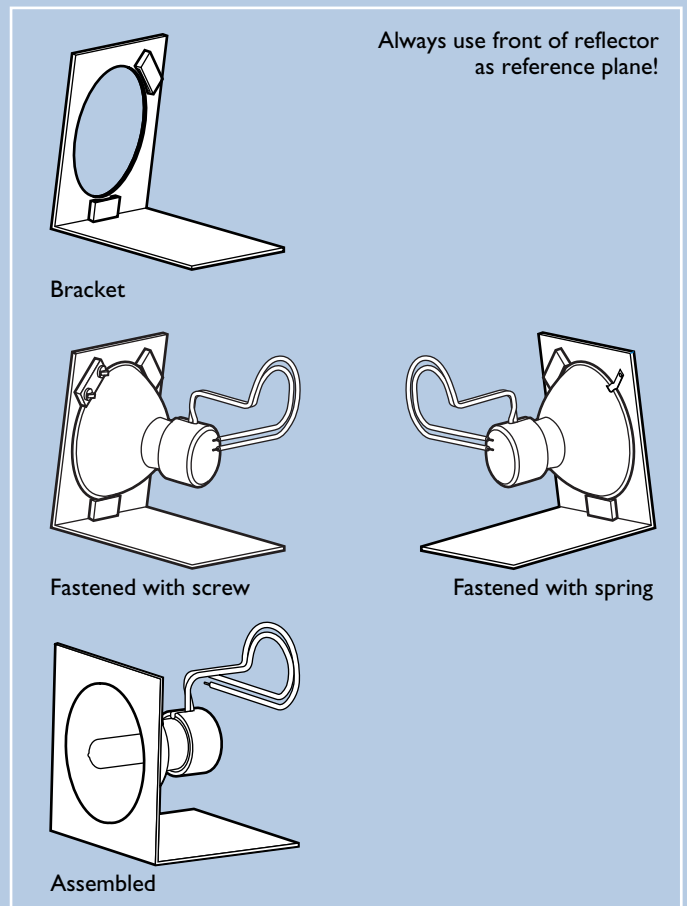


Burning position

#### Maximum permissible temperatures (degr. C)

Type	Pinch	Bulb
CDM-SA/T 150/942	350	650
CDM-SA/R 150/942	350	650

Measured at a lamp wattage of 180 W



Mounting principle