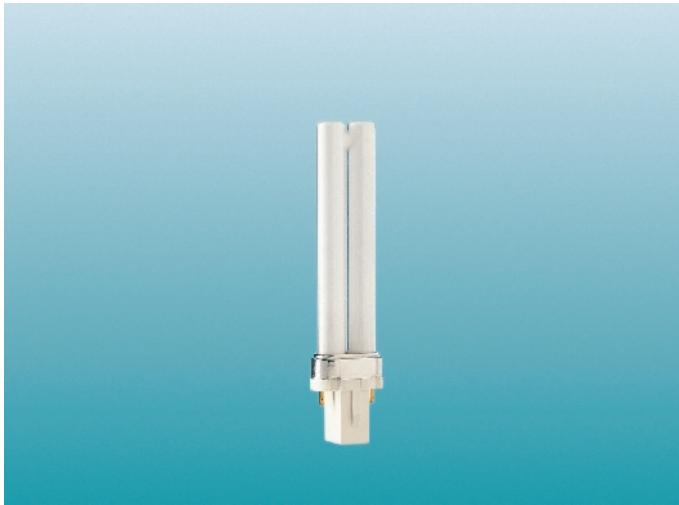


Compact fluorescent lamps non-integrated

PL-S PRO 2 Pins

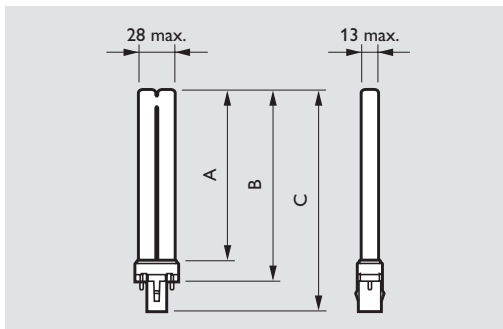


The PL-S PRO 2-pin range of lamps forms part of the compact fluorescent non-integrated family of lamps. Compact long-arc low-pressure mercury discharge lamp with a clear glass envelope consisting of two parallel narrow fluorescent tubes welded together near the ends. It has a two-pin base with a housing incorporating the special instant starter and capacitor, and operates on conventional ballasts. It is equipped with two pre-heated tungsten electrodes and filled with a mixture of saturated mercury vapour and an inert buffer gas.

Dimming is not possible. The lamp characteristics are influenced by operating conditions and control gear used. A radio-interference suppression capacitor is installed. The lamp performance is strongly governed by the temperature of the coolest spot, which is influenced by the lamp position.

Applications

- Hotels, restaurants, homes and theatres.
- Signs, corridors, security and orientation lighting.



Dimensions in mm

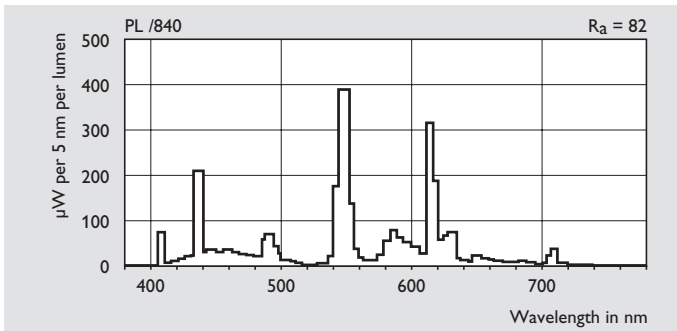
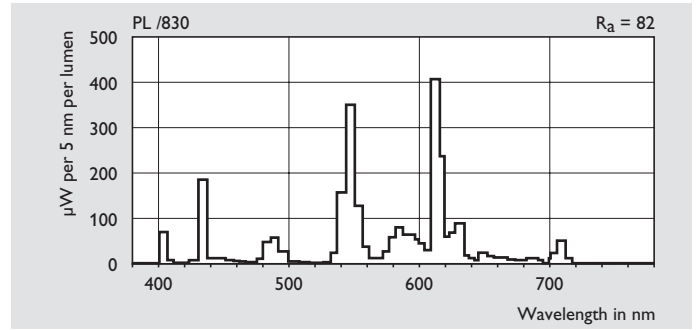
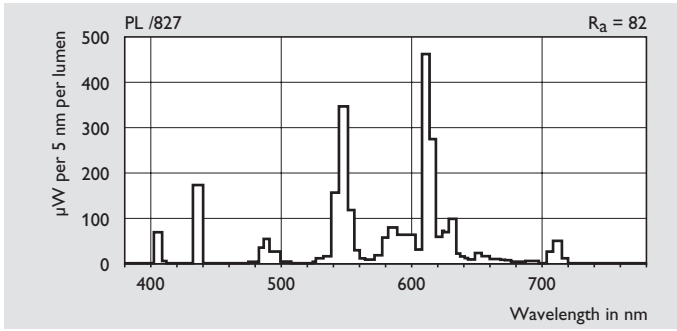
Type	A max.	B max.	C max.
PL-S 5W/2P	67	83	105
PL-S 7W/2P	97	113	135
PL-S 9W/2P	129	145	167
PL-S 11W/2P	198	214	236

Commercial name	Type	Cap/ base	Lamp voltage	Lamp wattage	Lamp current	Lumen output	Efficacy	Corr. colour temp.	Chromaticity coordinates		Colour designation	Lumen maint. 2000hrs	Lumen maint. 5000hrs	Nett weight	EOC	
			V	W	mA	lm	lm/W	K	x	y			%	%	g	
/827																
PL-S PRO	PL-S PRO	5W/827/2P	G23	35	5.4	180	250	46	2700	455	417	INCAND.LIGHT	85	75	30	706768
PL-S PRO	PL-S PRO	7W/827/2P	G23	47	7.1	175	400	56	2700	455	417	INCAND.LIGHT	90	80	35	706775
PL-S PRO	PL-S PRO	9W/827/2P	G23	60	8.7	170	600	69	2700	455	417	INCAND.LIGHT	90	85	41	706799
PL-S PRO	PL-S PRO	11W/827/2P	G23	91	11.8	155	900	76	2700	455	417	INCAND.LIGHT	95	90	58	706652
/830																
PL-S PRO	PL-S PRO	7W/830/2P	G23	47	7.1	175	400	56	3000	435	401	WARM WHITE	90	80	35	707185
PL-S PRO	PL-S PRO	9W/830/2P	G23	60	8.7	170	600	69	3000	435	401	WARM WHITE	90	85	41	707208
PL-S PRO	PL-S PRO	11W/830/2P	G23	91	11.8	155	900	76	3000	435	401	WARM WHITE	95	90	58	707222
/840																
PL-S PRO	PL-S PRO	5W/840/2P	G23	35	5.5	180	250	46	4000	381	379	COOL WHITE	85	75	30	610003
PL-S PRO	PL-S PRO	7W/840/2P	G23	47	7.1	175	400	56	4000	381	379	COOL WHITE	90	80	35	706782
PL-S PRO	PL-S PRO	9W/840/2P	G23	60	8.7	170	600	69	4000	381	379	COOL WHITE	90	85	41	706805
PL-S PRO	PL-S PRO	11W/840/2P	G23	91	11.8	155	900	76	4000	381	379	COOL WHITE	95	90	58	706669



Compact fluorescent lamps non-integrated

PL-S PRO 2 Pins



Spectral power distributions

