

Halogen lamps

Low-voltage dichroic reflector BRILLIANTline PRO



BRILLIANTline PRO (50 mm) 36°



(50 mm) 60°

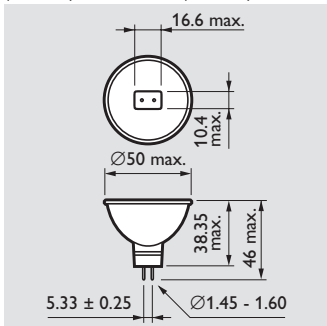


(35 mm) 10°

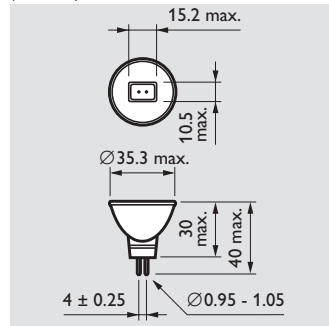


(35 mm) 30°

Dimensions in mm



BRILLIANTline PRO (50 mm) GU5.3



BRILLIANTline PRO (35 mm) GU4

Halogen reflector lamps consisting of an extra-low-voltage halogen burner optically positioned in a glass reflector which has a special heat-transmitting and light-reflecting dichroic coating. This combination of the burner and the reflector results in a high-intensity beam with a clearly defined beam spread. The dichroic reflector coating transmits the infrared radiation (heat) backwards through the glass and reflects the visible radiation (light) forward, thus resulting in a cool beam.

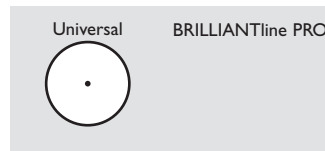
Features

The most important features of the BRILLIANTline PRO lamp range are:

- a high-pressure Xenon gas filled burner
- axial filament optimally aligned in a reflector with hard dichroic coating providing constant high quality, durability, maintenance over lifetime and aesthetics.
- with front glass
- average lifetime of 4000 hrs.
- wide range including 50 and 35 mm types.
- colour temperature of up to 3200 K
- excellent colour rendering ($R_a = 100$)
- GU5.3 or GU4 base: extra retention in luminaire
- universal burning position
- dimmable

Applications

BRILLIANTline PRO lamps are ideally suitable for accent, task and decorative lighting in shops/stores, hotels and restaurants.



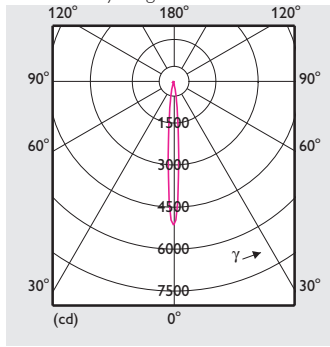
Burning position

Commercial name	Type	V	W	Beam angle	Cap/base	ANSI code	Max. luminous intensity cd	Lamp life 50% h	EOC
BRILLIANTline PRO	14610	12V	20W	10°	GU5.3	ESX	5000	4000	424549
BRILLIANTline PRO	14611	12V	20W	24°	GU5.3	BBF	1300	4000	424716
BRILLIANTline PRO	14612	12V	20W	36°	GU5.3	BAB	780	4000	424846
BRILLIANTline PRO	14613	12V	20W	60°	GU5.3	-	350	4000	424877
BRILLIANTline PRO	14614	12V	35W	10°	GU5.3	FRB	8000	4000	424907
BRILLIANTline PRO	14615	12V	35W	24°	GU5.3	FRA	3100	4000	424938
BRILLIANTline PRO	14616	12V	35W	36°	GU5.3	FMW	1500	4000	425041
BRILLIANTline PRO	14617	12V	35W	60°	GU5.3	-	700	4000	425072
BRILLIANTline PRO	14618	12V	50W	10°	GU5.3	EXT	13000	4000	425102
BRILLIANTline PRO	14619	12V	50W	24°	GU5.3	EXZ	4400	4000	425133
BRILLIANTline PRO	14620	12V	50W	36°	GU5.3	EXN	2200	4000	425164
BRILLIANTline PRO	14621	12V	50W	60°	GU5.3	-	1100	4000	425195
BRILLIANTline PRO	14624	12V	20W	10°	GU4	FTB	4800	4000	425379
BRILLIANTline PRO	14625	12V	20W	30°	GU4	FTD	800	4000	425409
BRILLIANTline PRO	14626	12V	35W	10°	GU4	FTE	7000	4000	425430
BRILLIANTline PRO	14627	12V	35W	30°	GU4	FTH	1500	4000	425461

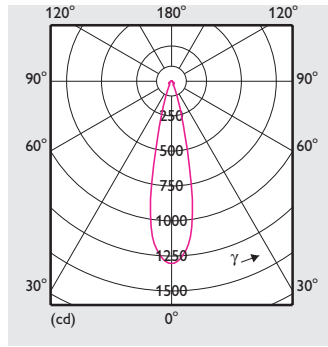
Halogen lamps

Low-voltage dichroic reflector BRILLIANTline PRO

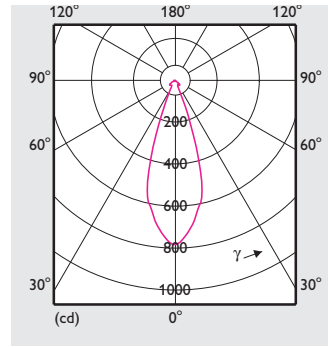
Polar intensity diagrams



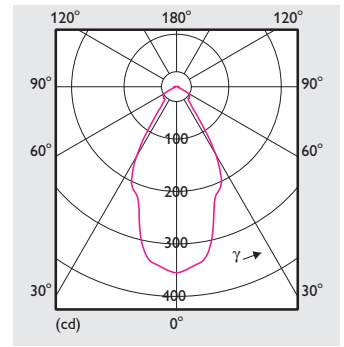
BRILLIANTline PRO 12V 20W 10dgr



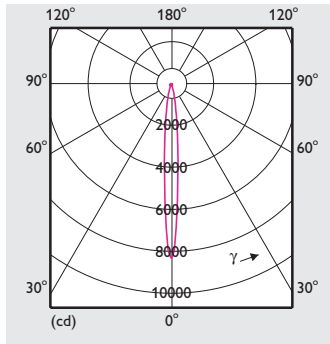
BRILLIANTline PRO 12V 20W 24dgr



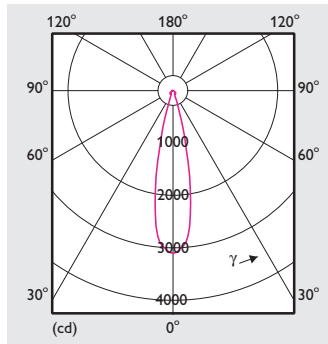
BRILLIANTline PRO 12V 20W 36dgr



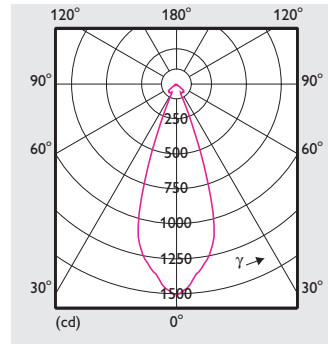
BRILLIANTline PRO 12V 20W 60dgr



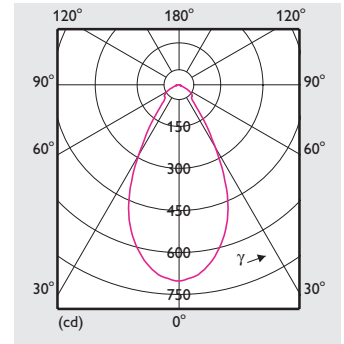
BRILLIANTline PRO 12V 35W 10dgr



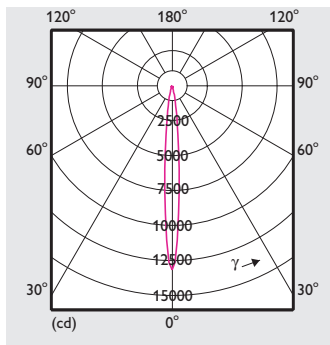
BRILLIANTline PRO 12V 35W 24dgr



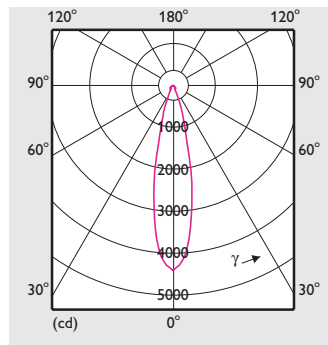
BRILLIANTline PRO 12V 35W 36dgr



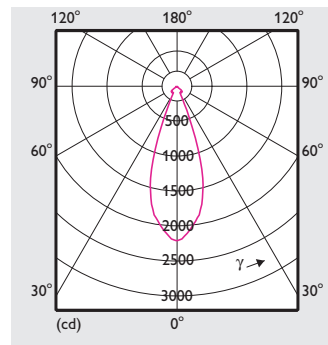
BRILLIANTline PRO 12V 35W 60dgr



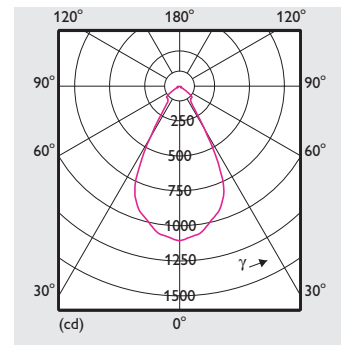
BRILLIANTline PRO 12V 50W 10dgr



BRILLIANTline PRO 12V 50W 24dgr



BRILLIANTline PRO 12V 50W 36dgr



BRILLIANTline PRO 12V 50W 60dgr