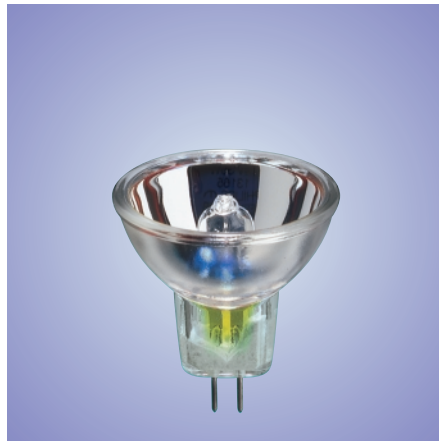


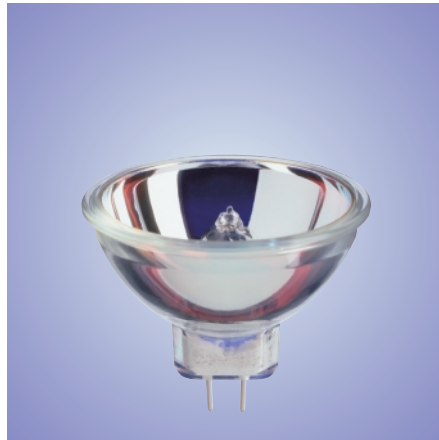
GX5.3 smooth 50 mm



GZ4 smooth 35 mm



14558



6847 FO

Lamp

- Quartz halogen lamps with integral reflector.

Features

- Optimised for use in fibre optic systems, but also suitable for numerous other applications.

Applications

Fibre Optic equipment such as:

- Endoscopes.
- Boroscopes.
- Machine vision.
- Pool lighting.
- Architectural lighting.
- Reading lights.
- All kinds of optical applications.



Type	ANSI Code	LIF Code	J Code	Fig.	lamp life h	Maximum permissible pinch temp. degr.C	Maximum permissible bulb temp. degr.C	Ordering number
-	-	-	JCR/M 6V 10W H20-3	1	2000	350	900	9248 136 10100
14558	-	-	-	1	2000	350	900	9240 443 17100
13390	-	-	-	1	50	350	900	9240 429 14503
13861	-	-	-	2	4000	350	900	9240 306 17100
6847 FO	EFM	A1/229	-	2	50	400	900	9240 485 14500
14515	-	-	-	2	4000	350	900	9240 344 17100
6853 FO	EFN	A1/230	-	2	50	400	900	9240 486 17100
13288	-	-	-	2	1000	350	900	9239 316 18200
-	-	-	JCR 12V 100W H10	2	1000	350	900	9248 120 17100
6834 FO	EFP	A1/231	-	2	50	400	900	9240 484 17100
6834/15 H FO	EFP/15 H	-	-	2	1500	350	900	tbd
6834/25 H FO	EFP/25 H	-	-	2	2500	350	900	tbd
6423 FO	EFR	A1/232	-	2	50	400	900	9240 482 18500
6423 XHP FO	EFR	A1/232	-	2	50	400	900	9240 442 18500
-	-	-	JCR 15V 150W H5	2	500	350	900	9247 936 18500

Type	ANSI Code	LIF Code	J Code	Cap/ Base	Lamp	Lamp	Colour temperature	Reflector diameter in mm	Fig.	Reflector surface	Burning position
					voltage V	wattage W					
-	-	-	JCR/M 6V 10W H20-3	GZ4	6	10	3000	35	1	Smooth	S90
14558	-	-	-	GU4	12	12	3000	35	1	Faceted	S90
13390	-	-	-	G4	8	22	3400	35	1	Smooth	S90
13861	-	-	-	GZ6.35	12	42	2900	50	2	Smooth	S90
6847 FO	EFM	A1/229	-	GZ6.35	8	50	3400	50	2	Smooth	S105
14515	-	-	-	GX5.3	12	75	2900	50	2	Smooth	S130
6853 FO	EFN	A1/230	-	GZ6.35	12	75	3400	50	2	Smooth	S105
13288	-	-	-	GX5.3	13,8	85	3150	50	2	Smooth	S105
-	-	-	JCR 12V 100W H10	GZ6.35	12	100	3100	50	2	Smooth	S90
6834 FO	EFP	A1/231	-	GZ6.35	12	100	3400	50	2	Smooth	S105
6834/15 H FO	EFP/15 H	-	-	GZ6.35	12	100	3200	50	2	Smooth	S105
6834/25 H FO	EFP/25 H	-	-	GZ6.35	12	100	3100	50	2	Smooth	S105
6423 FO	EFR	A1/232	-	GZ6.35	15	150	3350	50	2	Smooth	S105
6423 XHP FO	EFR	A1/232	-	GZ6.35	15	150	3450	50	2	Smooth	S105
-	-	-	JCR 15V 150W H5	GZ6.35	15	150	3100	50	2	Smooth	S90

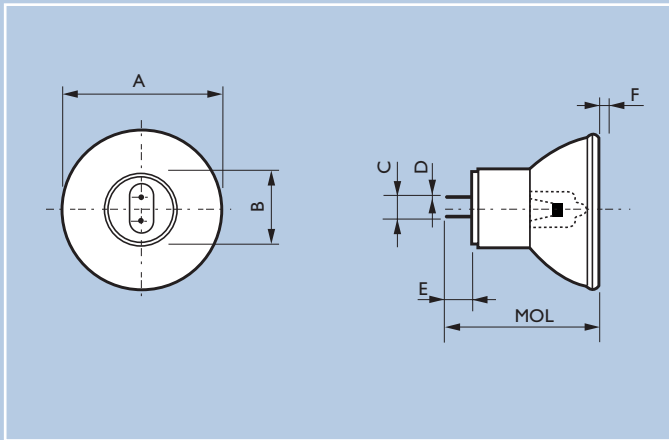


Fig. 1

Dimensions in mm

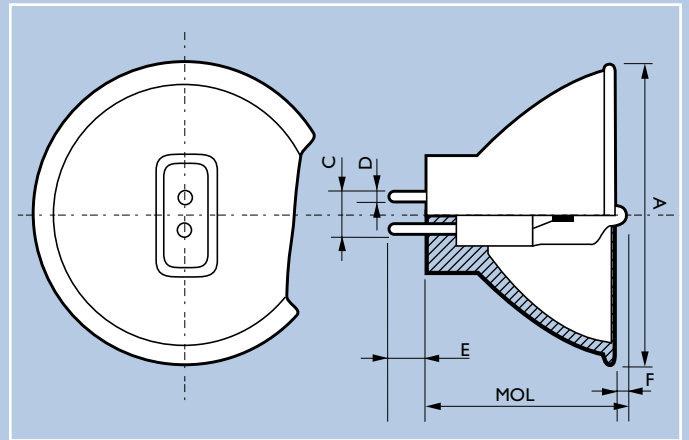
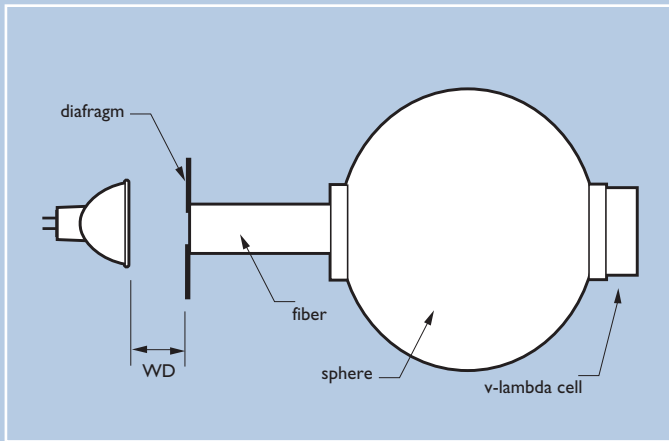


Fig. 2

Type	ANSI Code	LIF Code	J Code	Figure	MOL	A max Ø	B nom Ø	C	D	E nom min/max	F max
-	-	-	JCR/M 6V 10W H20-3	1	36	35,84	16	4	1 ± 0,5	6	2
14558	-	-	-	1	40	35	-	4	1 ± 0,5	6 / 11,5	< 0
13390	-	-	-	1	32	35	17	4	0,7	6 min	1
13861	-	-	-	2	42	50	-	6,35	1 ± 0,05	6 min	< 0
6847 FO	EFM	A1/229	-	2	42	50	-	6,35	1 ± 0,05	6 min	< 0
14515	-	-	-	2	42	50	-	5,3	1,5	5,2/7,6	2
6853 FO	EFN	A1/230	-	2	42	50	-	6,35	1 ± 0,05	6 min	< 0
13288	-	-	-	2	46	50	-	5,3	1,5	4,9 min	< 0
-	-	-	JCR 12V 100W H10	2	42	50	-	6,35	1 ± 0,05	-	< 0
6834 FO	EFP	A1/231	-	2	42	50	-	6,35	1 ± 0,05	6 min	< 0
6834/15 H FO	EFP/15 H	-	-	2	42	50	-	6,35	1 ± 0,05	6 min	< 0
6834/25 H FO	EFP/25 H	-	-	2	42	50	-	6,35	1 ± 0,05	6 min	< 0
6423 FO	EFR	A1/232	-	2	42	50	-	6,35	1 ± 0,05	6 min	< 0
6423 XHP FO	EFR	A1/232	-	2	42	50	-	6,35	1 ± 0,05	6 min	< 0
-	-	-	JCR 15V 150W H5	2	42	50	-	6,35	1 ± 0,05	-	< 0



Optical system

Type	ANSI Code	LIF Code	J Code	WD in mm	Gate in Ø in mm	Fibre Ø in mm	Light output average	Beam centre intensity cd
-	-	-	JCR/M 6V 10W H20-3	27	19	-	-	-
14558	-	-	-	-	-	-	-	3850
13390	-	-	-	34	7	7	140 lm	-
13861	-	-	-	30	8,5	-	230 lm	-
6847 FO	EFM	A1/229	-	32	7	13	430 lm	-
14515	-	-	-	30	8,5	-	420 lm	-
6853 FO	EFN	A1/230	-	32	7	13	600 lm	-
13288	-	-	-	53	10	-	340 lm	-
-	-	-	JCR 12V 100W H10	36	7	7	125000 lux	-
6834 FO	EFP	A1/231	-	32	7	13	750 lm	-
6834/15 H FO	EFP/15 H	-	-	32	7	13	480 lm	-
6834/25 H FO	EFP/25 H	-	-	32	7	13	420 lm	-
6423 FO	EFR	A1/232	-	32	7	13	840 lm	-
6423 XHP FO	EFR	A1/232	-	32	7	13	950 lm	-
-	-	-	JCR 15V 150W H5	36	7	7	60000 lux	-