

Halogen lamps

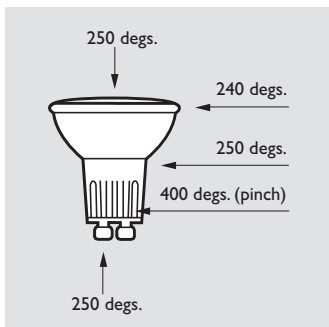
HV Dichroic and aluminium Reflector TWISTline



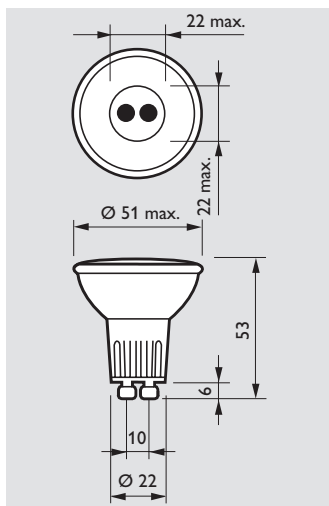
with GZ10 base



with GU10 base



Max. permissible temperatures



Dimensions in mm

Mains-voltage halogen reflector lamp with a quartz burner optically positioned in a hard-coated dichroic full-glass reflector and with a curved, clear front glass with a GZ10 lamp base. There is also an aluminium coated version available with a GU10 lamp base, which directs most of its heat to the front. With their distinct MR 16 look, the cool-beam and aluminium TWISTline are the most compact lamps of their kind available. Because the lamp can be connected directly to the mains supply, the use of bulky and costly transformers is not necessary and offers benefits for both consumers as well as luminaire manufacturers.

The special quartz burner design with Lambda-shape filament ensures a high light output and stable lifetime.

TWISTline's high performance reflector with hard dichroic coating provides a defined, homogeneous beam and gives a beautiful appearance in open luminaire constructions with sparkling effects and a controlled spill light at the back.

The cool-beam and aluminium coatings provide a constant light quality over lifetime. Both the coatings remain bright and shining.

The TWISTline conforms with IEC 598 for use in open luminaires. An additional front glass or UV-filter is not required, because the lamp is UV-Block. Built-in double fuses offer additional safety at end of life. The front glass also provides protection against touching the burner and dust/moisture. TWISTline's special GU10 and GZ10 base ensures good retention in the luminaire and easy insertion and replacement (twist and take out).

An instruction on the luminaire is required as to which lamp should be used (cool beam and/or aluminium).

Applications

Accent and general lighting in:

- Homes
- Hotels
- Bars
- Restaurants.

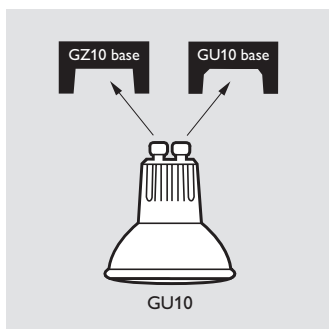
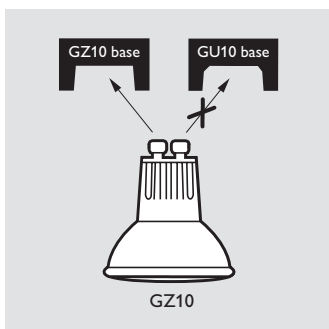
Dichroic Cool-beam



Aluminium



For use in open luminaire



Packing data

Qty	Gross weight kg	Dimensions individual box l x w x h (mm)	Volume m ³
50	2.57	46 x 46 x 60	0.009

Industrial pack and blister on request.



Halogen lamps

HV Dichroic and aluminium Reflector TWISTline

Commercial name	Type	Voltage	Wattage	Beam angle	Cap/ base	Max. luminous intensity cd	Correlated colour temperature K	Lamp life 50% h	Ilcos code	EOC
		V	W	degs.						
Dichroic / Cool-beam										
TWISTline Dichro	14563	230	50	25	GZ10	1250	2900	2000	HRGI-50-230-GZ10/50 25	411761
TWISTline Dichro	14564	230	50	50	GZ10	600	2900	2000	HRGI-50-230-GZ10/50 50	411778
TWISTline Dichro	14561	240	50	25	GZ10	1250	2900	2000	HRGI-50-240-GZ10/50 25	411785
TWISTline Dichro	14562	240	50	50	GZ10	600	2900	2000	HRGI-50-240-GZ10/50 50	411792
Aluminium										
TWISTline Alu	14602	230	50	25	GU10	1250	2800	2000	HARI-50-230-GU10/50 25	412508
TWISTline Alu	14603	230	50	50	GU10	600	2800	2000	HARI-50-230-GU10/50 50	412584
TWISTline Alu	14604	240	50	25	GU10	1250	2800	2000	HARI-50-240-GU10/50 25	412539
TWISTline Alu	14605	240	50	50	GU10	600	2800	2000	HARI-50-240-GU10/50 50	412614

Notes:
 * All types designed for 230V (240V) supply. Lamp characteristics given are for 230V (240V) supply.
 * Numerical technical data given are average values and do not refer to single lamps.
 * Manufacturer reserves the right to change specifications without prior notice.

