

Halogen lamps

Low-voltage dichroic reflector Halotone Economy

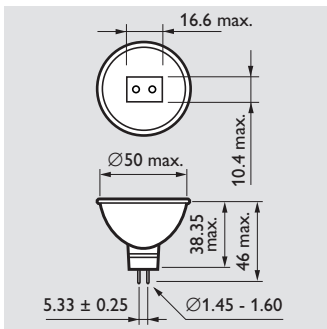


Definition

Halogen reflector lamps consisting of an extra-low-voltage halogen burner optically positioned in a glass reflector, which has a special heat-transmitting and light-reflecting dichroic coating. The dichroic reflector coating transmits the infra-red radiation (heat) backwards through the glass and reflects the visible radiation (light) forward, thus resulting in a 'cool beam.' The ELV burner, with axial filament, operates at low pressure (≤ 2.5 bar) and is UV Block. According to IEC 598, these lamps can be used in luminaires without front glass.

Applications

Dichroic reflector lamps are ideally suitable for accent-, task- and decorative lighting in homes, shops and hotels/restaurants.



Dimensions in mm

Features

The most important features of this lamp are:

- "cool beam" dichroic coated reflector
- with front glass
- average lamp life of 3000 hrs
- colour temperature 3000 °K
- excellent colour rendering ($R_a = 100$)
- universal burning position
- dimmable.

Maximum permissible temperatures

Reflector	250°C
Reflector rim	240°C
Pinch	350°C
Contacts	300°C

Packing data

Single box packaging			
Packing configuration	Weight	Dimensions	Volume
	kg	cm	m ³
50 x 1	1.85	30.3 x 24.7 x 10.6	0.008

Commercial name	Type	ANSI	Wattage	Voltage	Half-intensity Beam angle	Luminous intensity	Base	Average life	Illuminance code	EOC
			W	V						
Halotone Economy	14595	ESX	20	12	+/- 10	3400	GU 5.3	3000	HRGI-20-12-GU5.3-50/10	411907
Halotone Economy	14597	FRB	35	12	+/- 10	6000	GU 5.3	3000	HRGI-35-12-GU5.3-50/10	411938
Halotone Economy	14599	EXT	50	12	+/- 10	8800	GU 5.3	3000	HRGI-50-12-GU5.3-50/10	411969
Halotone Economy	14601	EXZ	50	12	+/- 24	2500	GU 5.3	3000	HRGI-50-12-GU5.3-50/24	412263
Halotone Economy	14596	BAB	20	12	+/- 36	550	GU 5.3	3000	HRGI-20-12-GU5.3-50/36	411990
Halotone Economy	14598	FMW	35	12	+/- 36	1000	GU 5.3	3000	HRGI-35-12-GU5.3-50/36	412027
Halotone Economy	14600	EXN	50	12	+/- 36	1600	GU 5.3	3000	HRGI-50-12-GU5.3-50/36	412058
Halotone Economy	14632	-	50	12	+/- 60	750	GU 5.3	3000	HRGI-50-12-GU5.3-50/60	426086